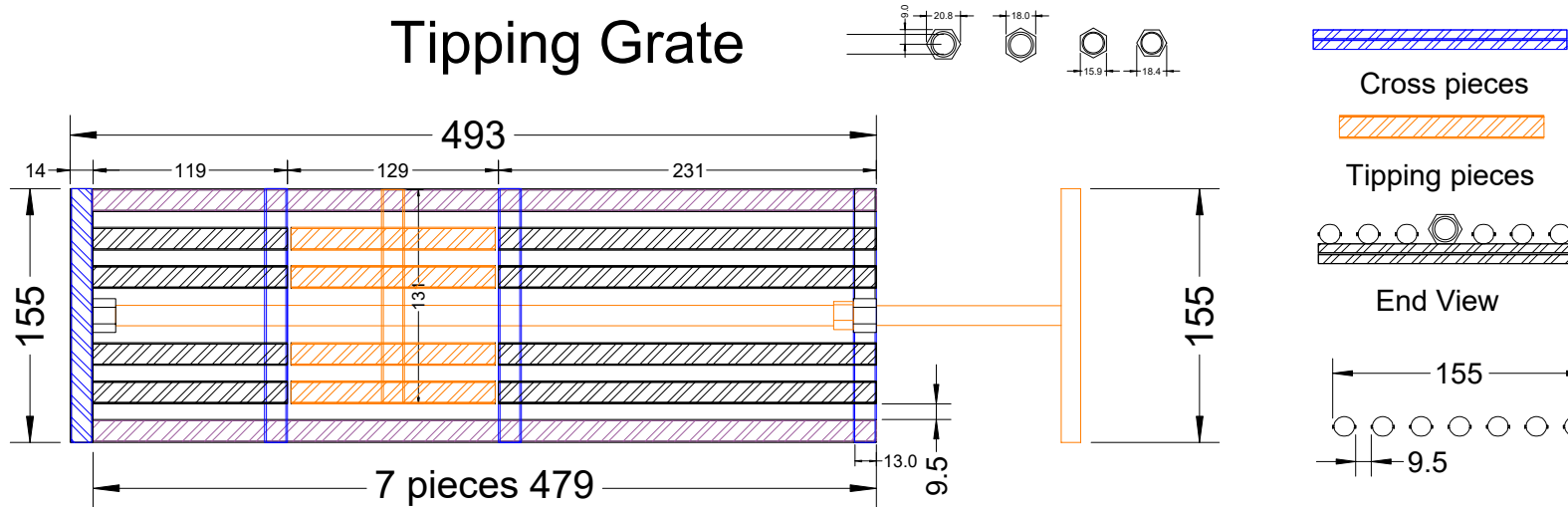


MN5.3.1.1.01 Tipping Grate

Tipping Grate



Model MN5.3
Version 3.1
2018-06-21

C Pemberton-Pigott

Assemble everything flat

M14 nuts are drilled 12.3 dia and welded to the R12 shaft such that the shaft can rotate inside the M16 nut.

Grate Bars

4 crosspieces 155mm Y12 (Armaturo)
1 piece 131mm Y12
6 pieces 479mm Y12

1 piece 698mm R12 centre shaft
1 piece 155mm R12 handle
2 x M14 hex nuts
1 x M16 hex nut

Cut the orange parts but not the centre bar

